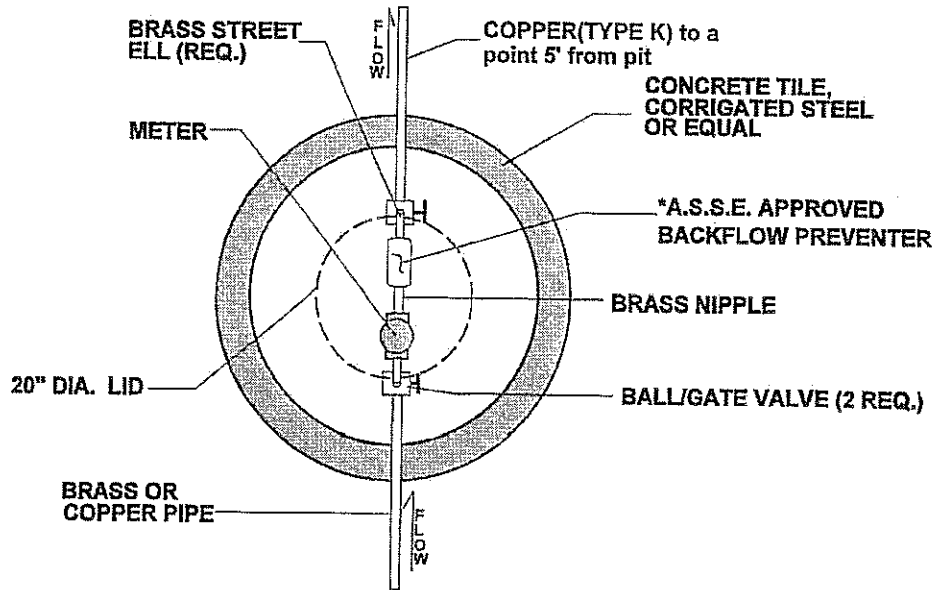
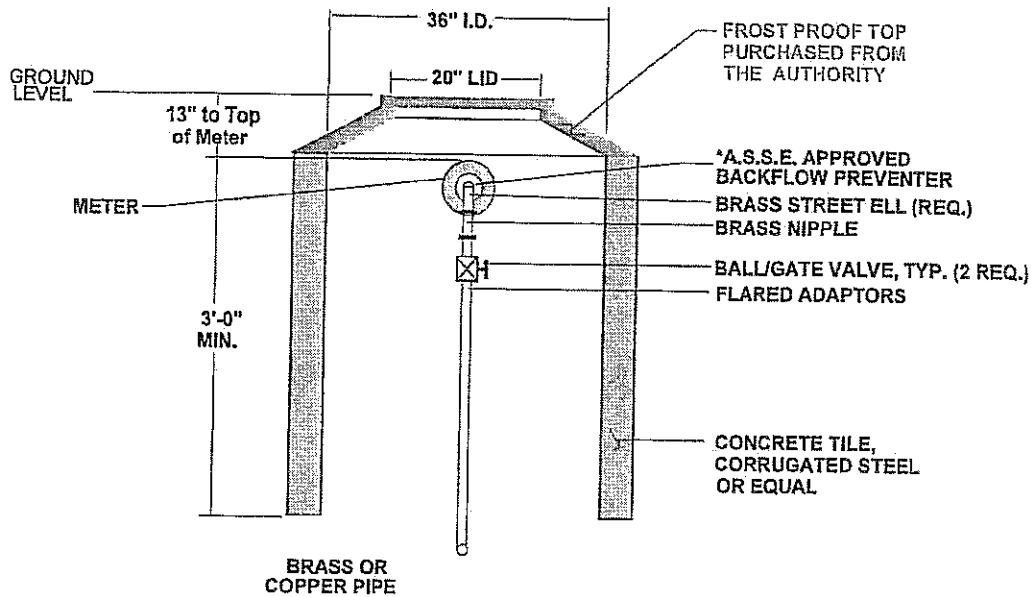


**METER PIT SPECIFICATIONS  
for Installation of SR Meters (3/4" & 1")**

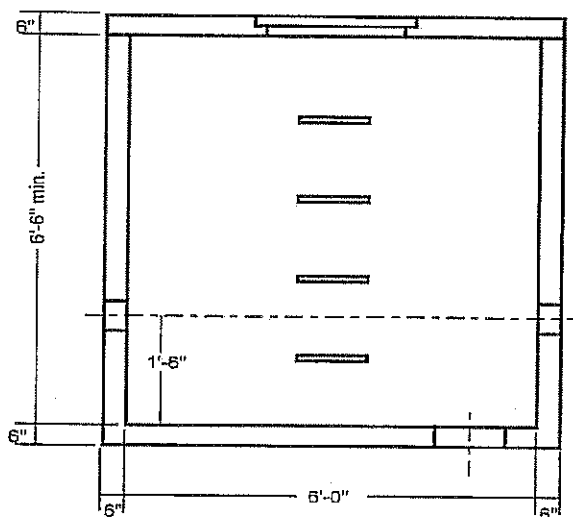
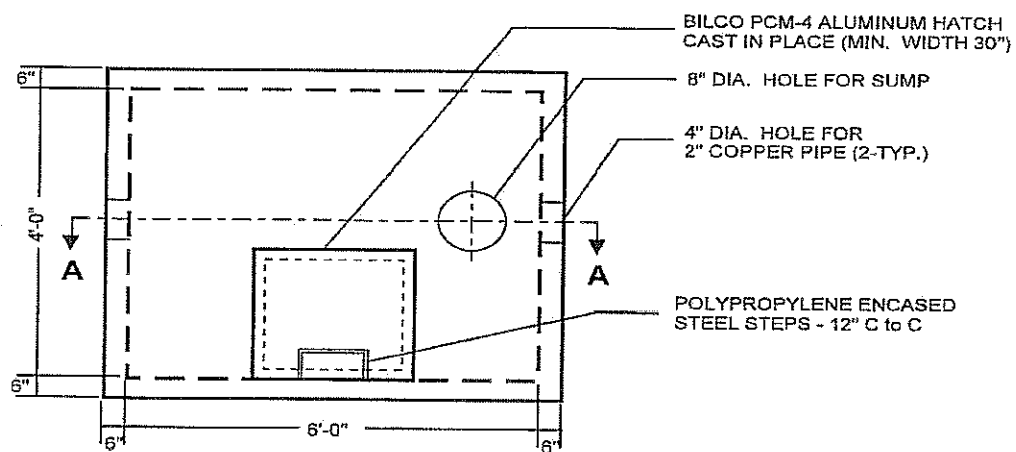


**ALL MATERIALS MUST BE COPPER, BRASS OR DUCTILE IRON TO A POINT 3 - 5 FEET ON THE DOWNSTREAM SIDE OF THE PIT TO ADD STABILITY TO THE METER SETTING.**

**\*Can not be a REDUCED PRESSURE ZONE BACKFLOW PREVENTER  
NO SOLDER JOINTS ALLOWED IN PIT OR UNDERGROUND**

**\*\*A curb stop must be installed between the meter pit and the water main for isolation purposes if one is not provided by the Authority.**

**METER PIT FOR 1 1/2" & 2" METER**  
**with BACKFLOW PREVENTER**

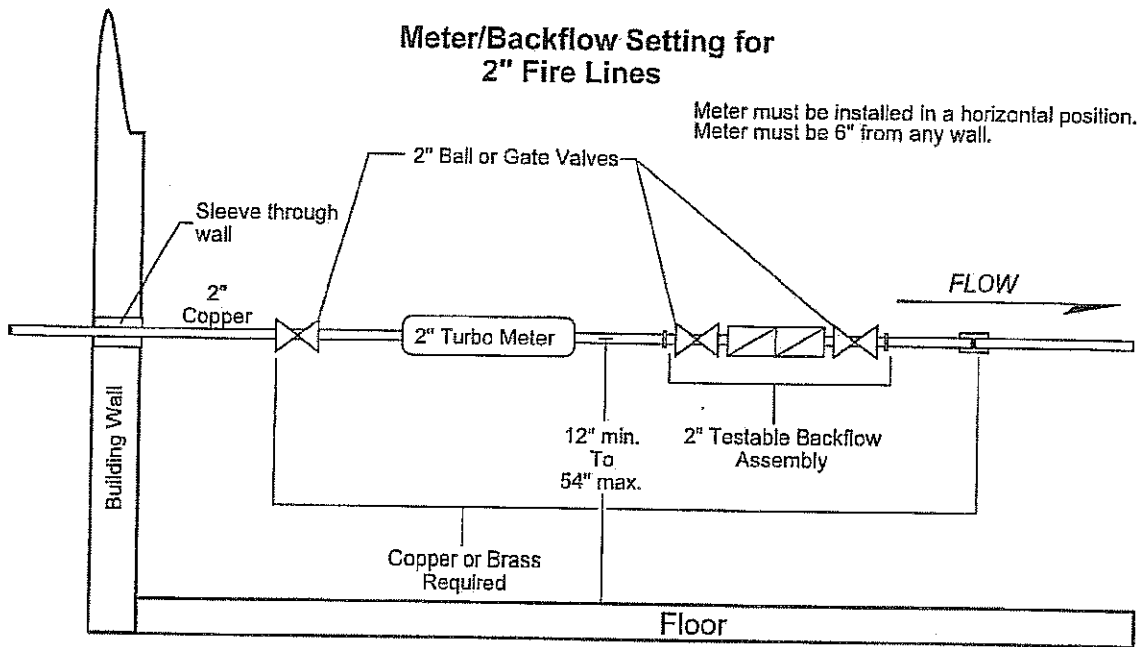


**Section A-A**

**Notes:**

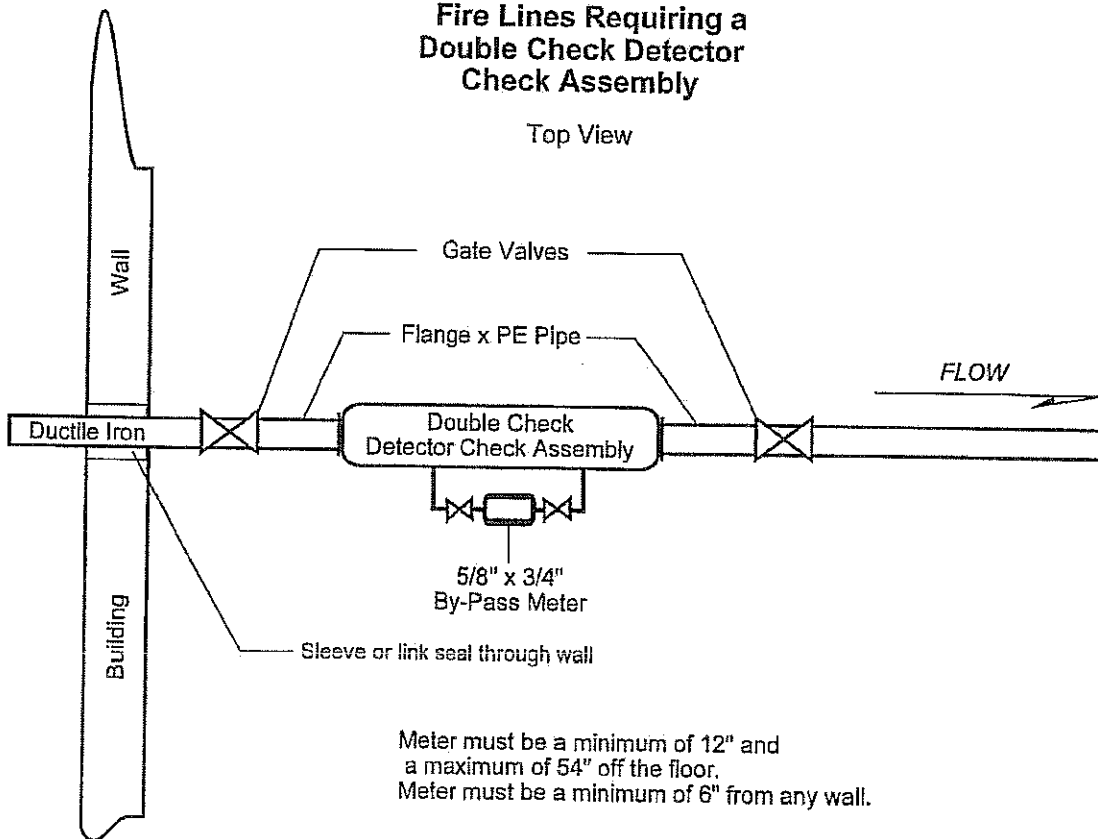
1. Pit may be precast or built on site with concrete blocks with prior approval of materials and method of construction by the Authority.
2. Hatch location may be moved with Authority approval.
3. Mega-lugs must be used on all fittings or they must be rodded (4 min.) and anchored in concrete if Ductile Iron pipe is used.
4. Concrete Thrust Blocks must be used on all underground bends & tee's if Ductile Iron pipe is used.
5. If 4" pipe is used, meter pit must be larger for the additional fittings; approx. 14' x 4'.
6. **No Solder Joints Allowed Inside Pit or Underground**
7. Meter setting inside the pit shall consist of: Gate/Ball Valve, Meter, Backflow Preventer, Pressure Reducing Valve(optional) & Gate/Ball Valve.

### Meter/Backflow Setting for 2" Fire Lines

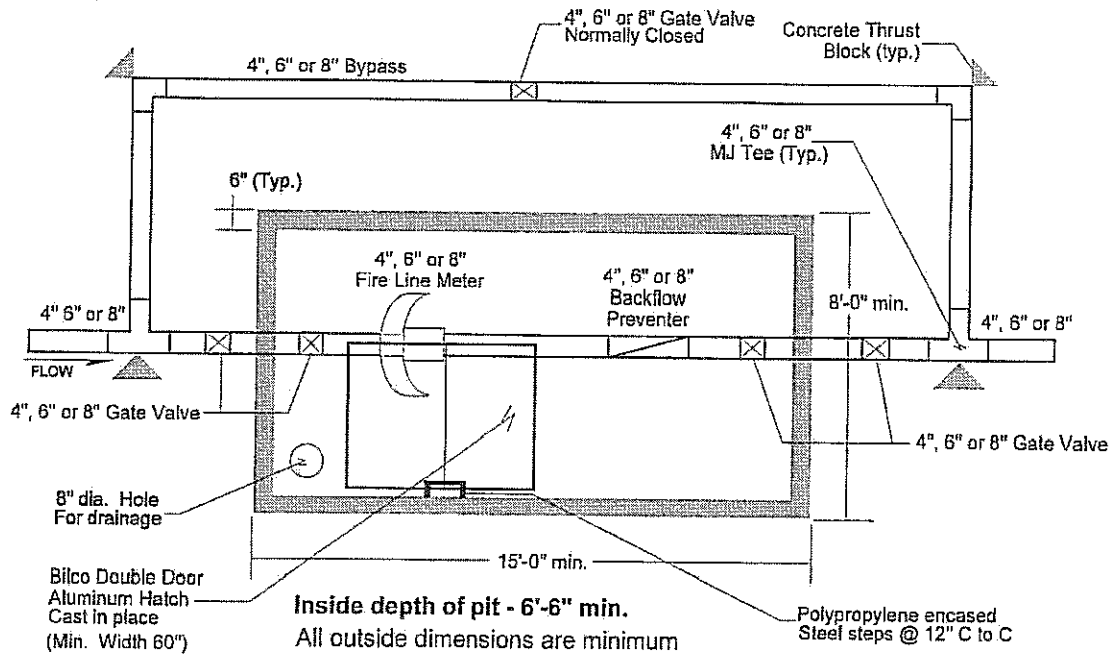


### Fire Lines Requiring a Double Check Detector Check Assembly

Top View



**4", 6" or 8" DOMESTIC & FIRE LINE COMBINATION**  
**METER PIT- Using Compact Fire Meter**

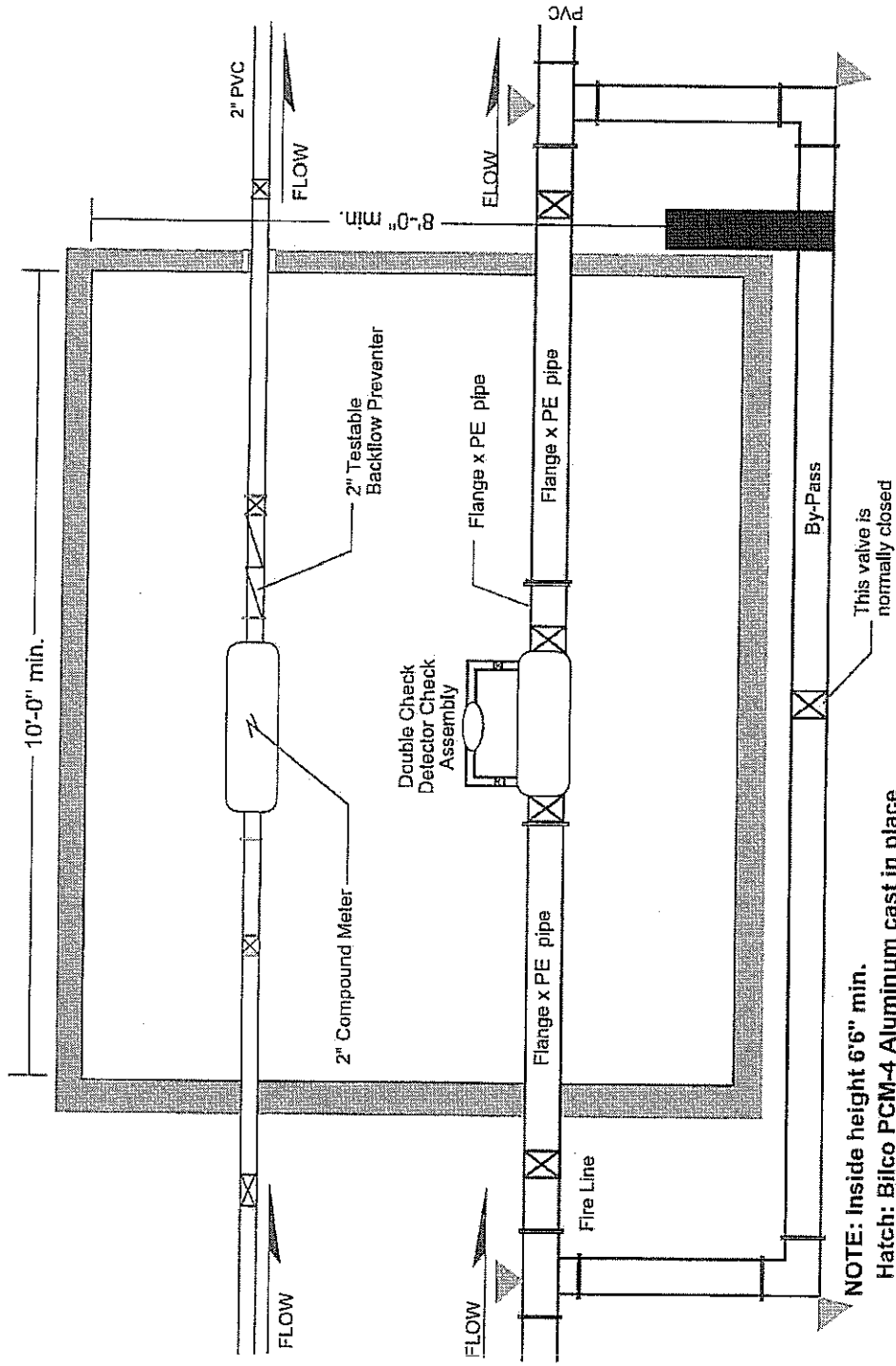


\*4", 6" or 8" Fire Line Meter to be purchased by owner with delivery to the job site and installation by owner. Authority personnel will inspect the installation.

**NOTES:**

1. Mega-lug glands must be used on all fittings and valves.
2. Concrete Thrust Blocks must be used on all underground bends & tee's.

**METER PIT FOR 2" DOMESTIC W/COMPOUND METER & 4" TO 8" FIRE LINES**

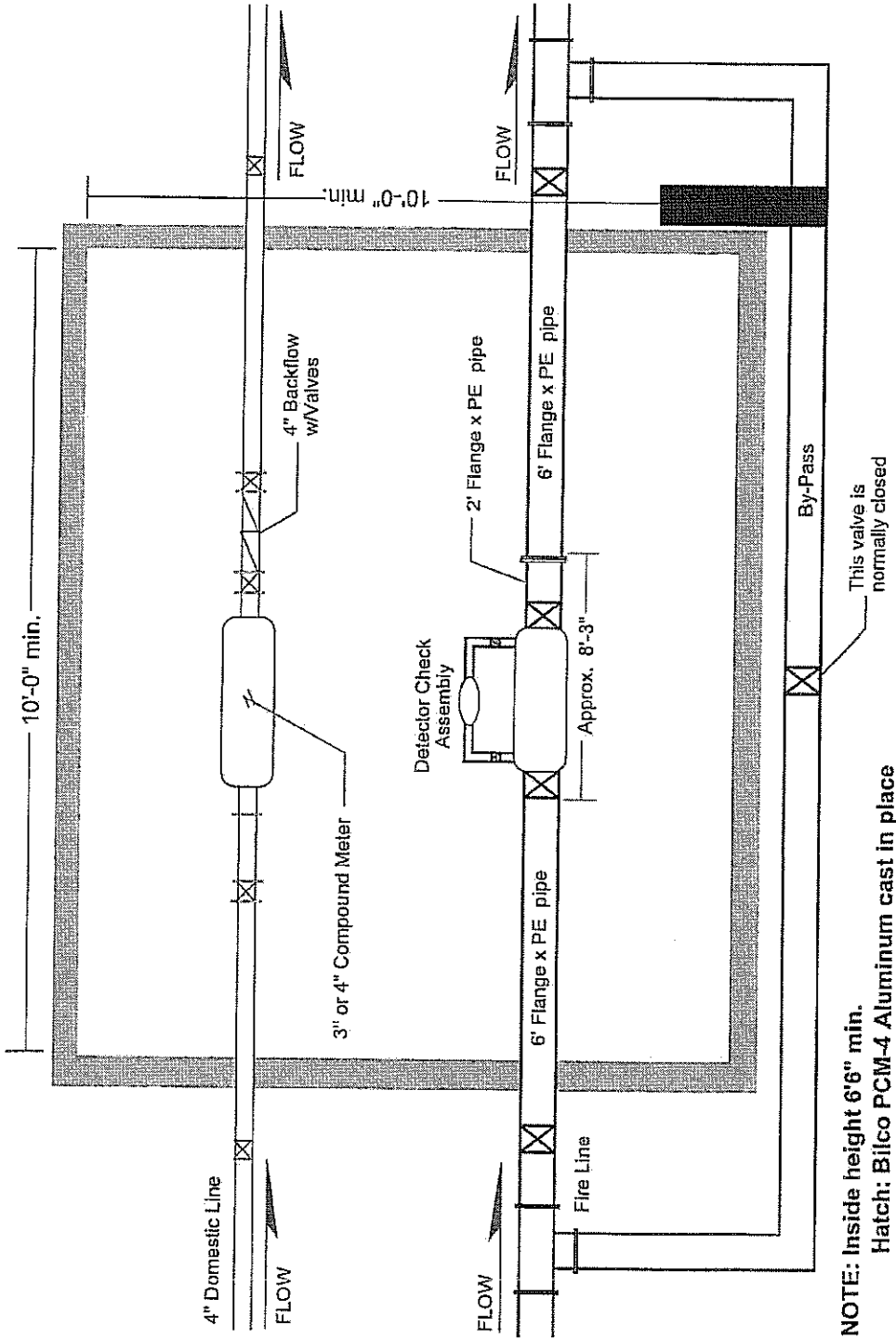


See back for additional specs.

**NOTES:**

1. Hatch location may be moved with Authority approval.
2. Mega-lugs must be used on all fittings and valves or the fittings must be rodded (4 min.) and anchored in concrete.
3. Concrete Thrust Blocks must be used on all underground bends & tee's.
4. Vault size may need adjusted to accommodate the different sizes of fire lines.

**METER PIT FOR 4" DOMESTIC W/3" or 4" COMPOUND METER & 4" to 8" FIRE LINES**



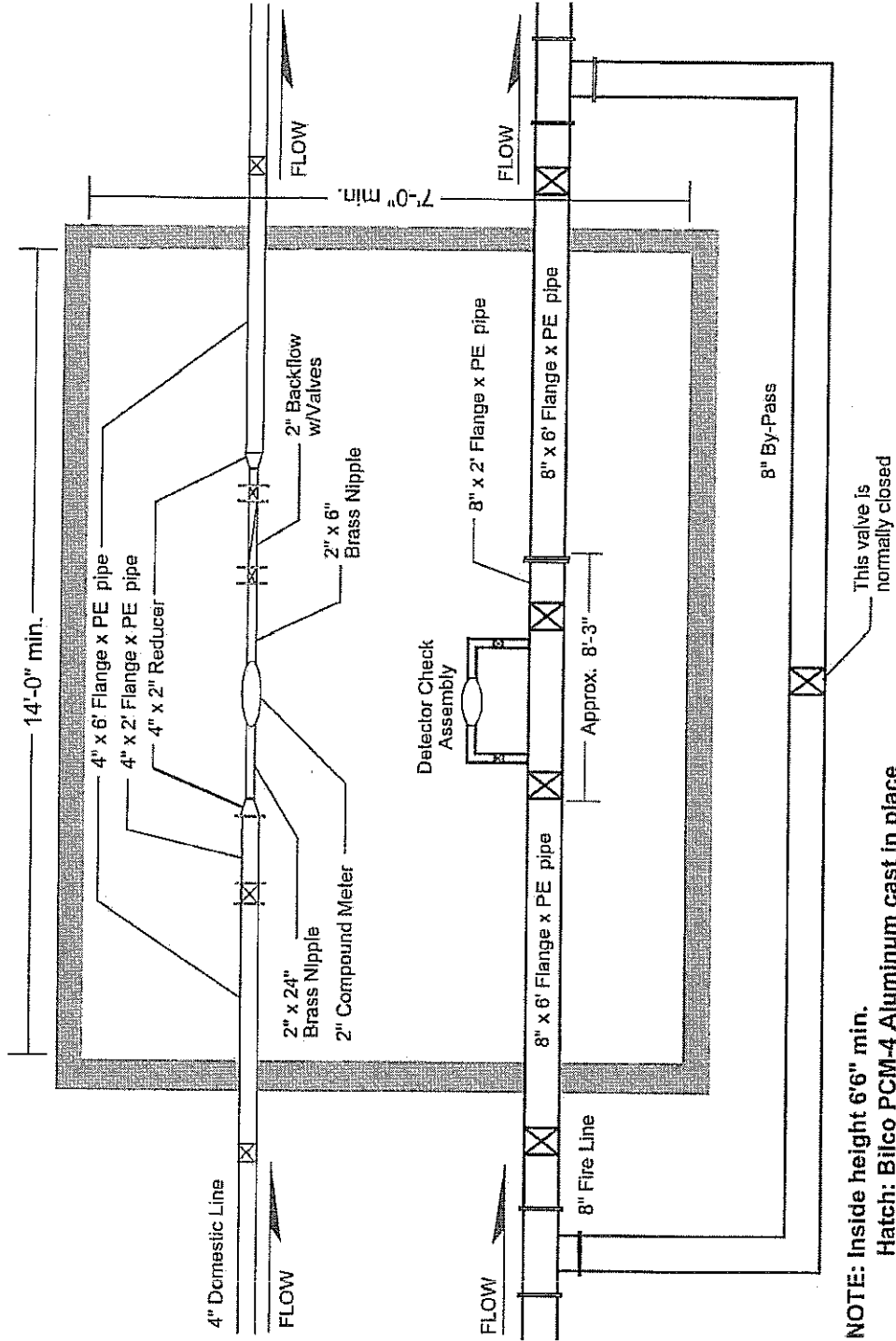
**NOTE: Inside height 6'6" min.  
Hatch: Bilco PCM-4 Aluminum cast in place  
36" min. Width**

See back for additional specs.

**NOTES:**

1. Hatch location may be moved with Authority approval.
2. Mega-lugs must be used on all fittings and valves or the fittings must be rodded (4 min.) and anchored in concrete.
3. Concrete Thrust Blocks must be used on all underground bends & tee's.

**METER PIT FOR 4" DOMESTIC W/2" COMPOUND METER & 4" - 10" FIRE LINES**



**NOTE: Inside height 6'6" min.  
Hatch: Bilco PCM-4 Aluminum cast in place  
30" min. Width**

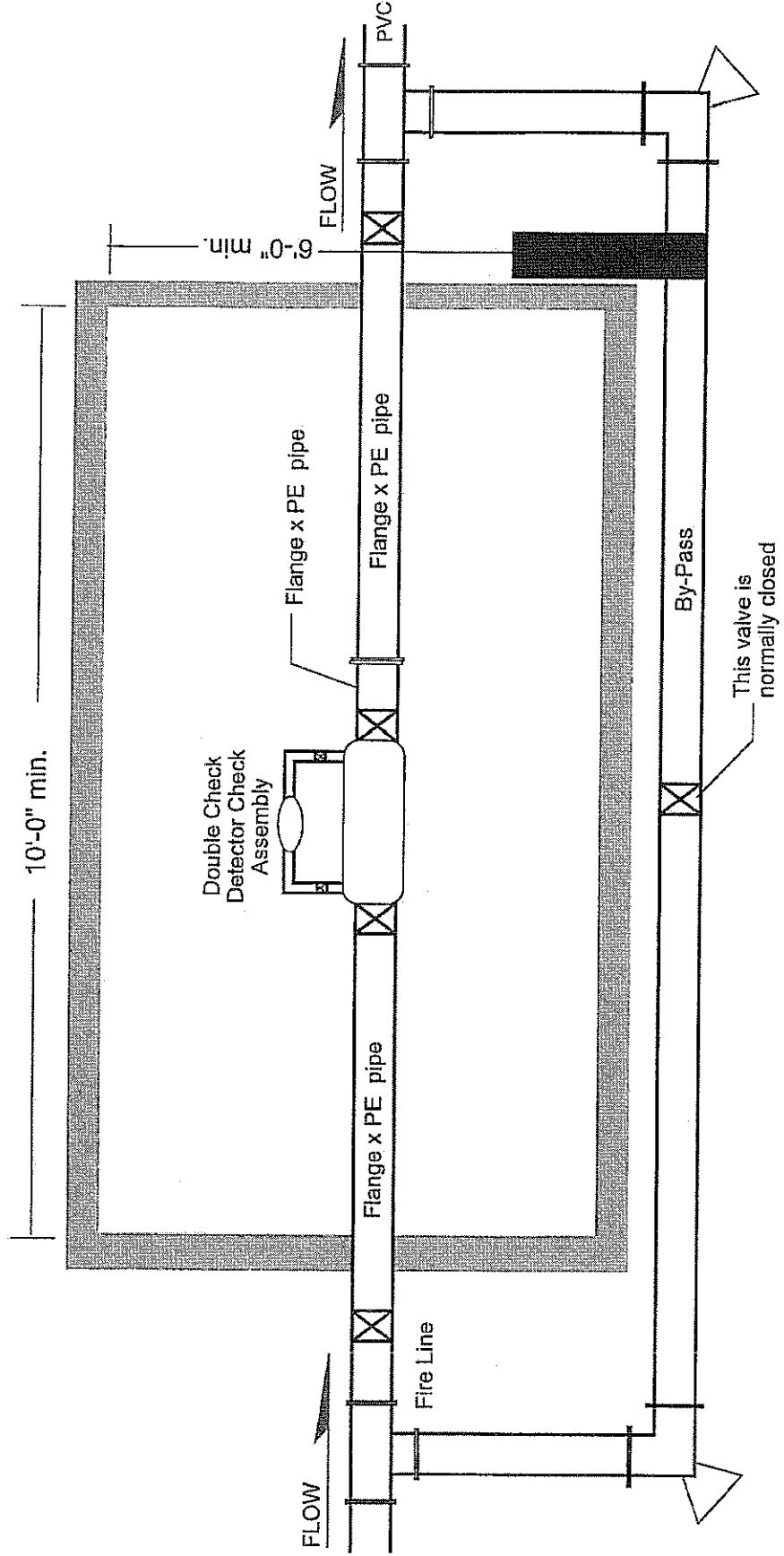
See back for additional specs.

**NOTES:**

1. Hatch location may be moved with Authority approval.
2. Mega-lugs must be used on all fittings and valves or the fittings must be rodded (4 min.) and anchored in concrete.
3. Concrete Thrust Blocks must be used on all underground bends & tee's.

**METER PIT FOR 4" TO 10" FIRE LINES**

- NOTES: 1. Hatch location may be moved with Authority approval.  
2. Mega-lugs must be used on all fittings and valves or the fittings must be rodded (4 min.) and anchored in concrete.  
3. Concrete Thrust Blocks must be used on all underground bends & tee's.
- NOTE: Inside height 6'6" min.  
Hatch: Bilco PCM-4 Aluminum cast in place  
36" min. Width





Splitting of Fire & Domestic from Single Connection

